

SPECIFICATION SHEET



APPLICATIONS Refrigeration, Air conditioning, plumbing, electrical and communication

INSTALLATION Tool-Free, Tie-wrap style

- MATERIAL**
- Polypropylene
 - UV Resistant
 - Operating temperature -40° to 178°F (-40° to 81°C)
 - Paintable (preserves mechanical properties event after painting)

CERTIFICATION UL classified for USA (UL-723 (ASTM E 84)) And ULC listed for Canada (ULC-S102.2).



COLOR SILVER GREY (G)

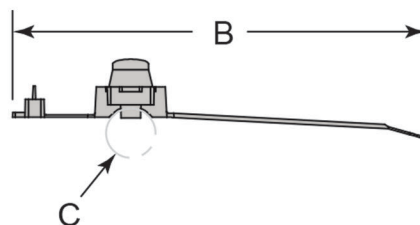
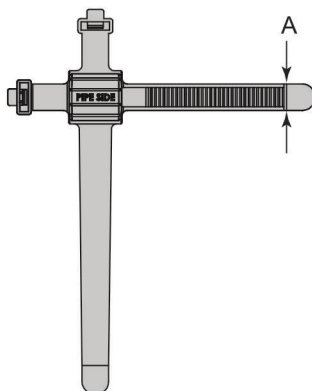
Pipe diameter

| | 0.25" (6.3mm) | 0.5" (12.7mm) | 0.625" (15.9mm) | 0.75" (19mm) | 1" (25.4mm) | 1.25" (31.8mm) | 1.5" (38.1mm) | 1.75" (44.5mm) | 2" (50.8mm) | 2.25" (57.2mm) |
|--|---------------|---------------|-----------------|--------------|-------------|----------------|---------------|----------------|-------------|----------------|
|--|---------------|---------------|-----------------|--------------|-------------|----------------|---------------|----------------|-------------|----------------|

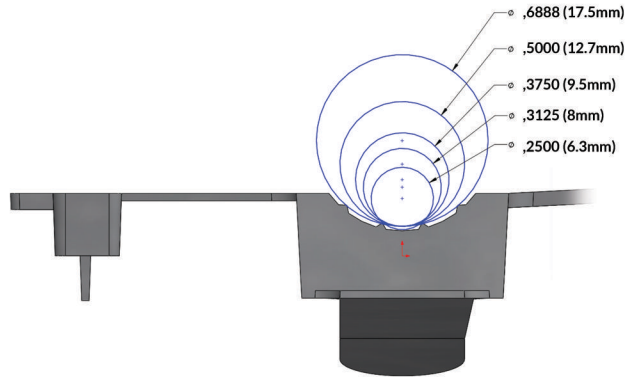
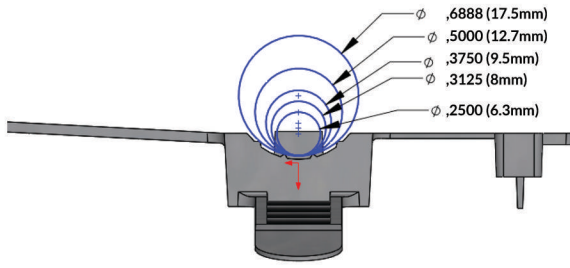
Bolt diameter

| | | | | | | | | | | |
|-----------------|---------|---------|---------|---------|---------|---------|---------|---------|---------|---------|
| 0.25" (6.3mm) | IMP050G | IMP050G | - | - | - | - | - | - | - | - |
| 0.3125" (7.9mm) | IMP050G | IMP050G | IMP125G | IMP125G | IMP125G | IMP125G | - | - | - | - |
| 0.375" (9.5mm) | IMP050G | IMP050G | IMP125G | IMP125G | IMP125G | IMP125G | IMP175G | - | - | - |
| 0.5" (12.7mm) | IMP050G | IMP050G | IMP125G | IMP125G | IMP125G | IMP125G | IMP175G | IMP225G | IMP225G | - |
| 0.688" (17.5mm) | IMP050G | IMP050G | IMP125G | IMP125G | IMP125G | IMP125G | IMP175G | IMP225G | IMP225G | IMP225G |

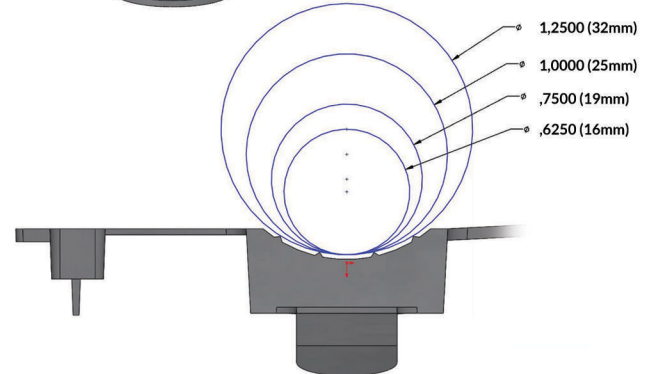
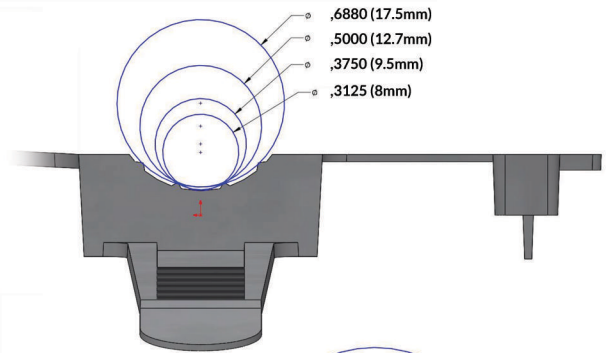
| PART NUMBER | A | B | C |
|-------------|---------------|-----------------|----------------|
| IMP050G | 0.5" (12.7mm) | 5.62" (143mm) | 0.68" (17mm) |
| IMP125G | 0.5" (12.7mm) | 5.77" (146.5mm) | 1.25" (32mm) |
| IMP175G | 0.5" (12.7mm) | 6.20" (157.5mm) | 1.75" (44.5mm) |
| IMP225G | 0.5" (12.7mm) | 6.20" (157.5mm) | 1.71" (43.5mm) |



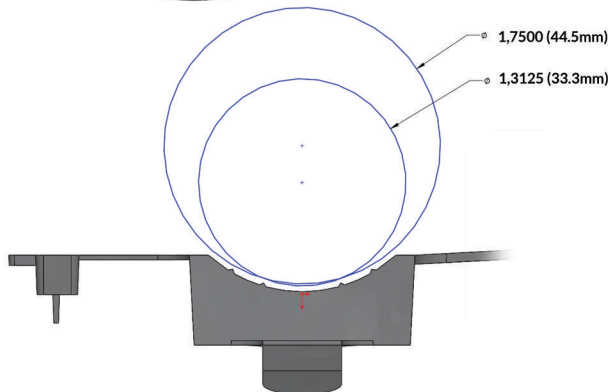
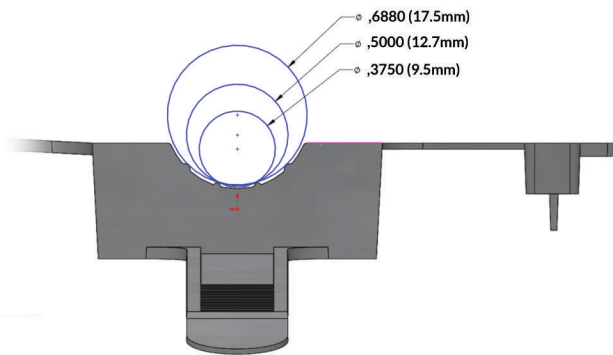
SPECIFICATION SHEET



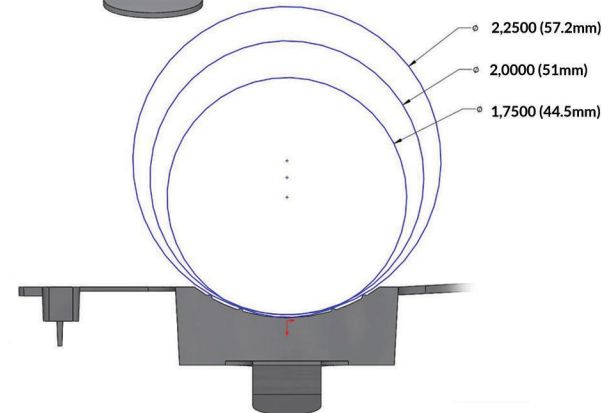
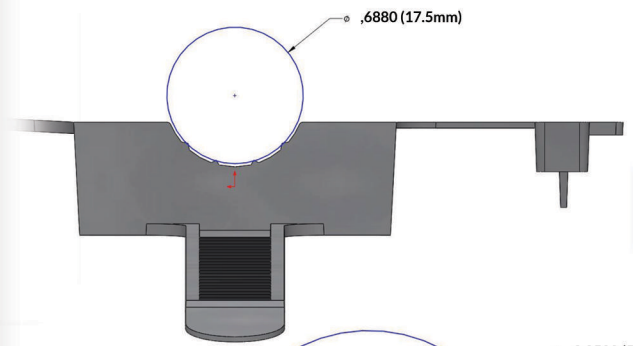
| PART NUMBER | PIPE DIAMETER | BOLT DIAMETER |
|-------------|-------------------------------------|-------------------------------------|
| IMP050G | 0.25" - 0.688" (6.3mm to 17.5mm) | 0.25" - 0.688" (6.3mm to 17.5mm) |



| PART NUMBER | PIPE DIAMETER | BOLT DIAMETER |
|-------------|----------------------------------|-------------------------------------|
| IMP125G | 0.625" - 1.25" (16mm to 32mm) | 0.3125" - 0.688" (8mm to 17.5mm) |



| PART NUMBER | PIPE DIAMETER | BOLT DIAMETER |
|-------------|---------------------------------------|--------------------------------------|
| IMP175G | 1.3125" - 1.75" (33.3mm to 44.5mm) | 0.375" - 0.688" (9.5mm to 17.5mm) |



| PART NUMBER | PIPE DIAMETER | BOLT DIAMETER |
|-------------|-------------------------------------|--------------------|
| IMP225G | 1.75" - 2.25" (44.5mm to 57.2mm) | 0.688" (17.5mm) |