

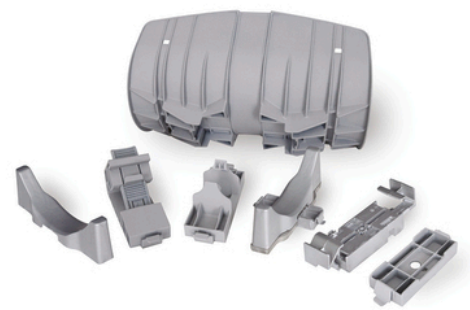


THE SIMPLE SOLUTION

Insuguard Multi Pipe Saddles

Speed up pipe saddle installation with interchangeable adapters for strut, H-Beam, I-Beam, floor-mount, clevis, and steel angle mountings. Prevents rotation or displacement of saddles and damage to insulation.

- // Installs with one click in seconds
- // For plumbing, HVAC, and refrigeration piping
- // Works with all insulation types



 **armacell**[®]
ArmaFix[®]

ONE CLICK SIMPLE INSTALLATION

When installing and maintaining pipe systems, the right combination of insulation, vapor retarder, and support system minimizes energy loss, maintains the pipe's structural integrity, and keeps the pipe system in place. However, get even one component wrong, and you risk substandard system operation and/or expensive repairs.

Pipe suspension and mounting systems support the weight of a pipe by transmitting the load to the adjacent structure. These systems also need to avoid damaging the pipe insulation at the contact points, especially during the severe linear movements that pipes can undergo due to normal thermal expansion and contraction.

In large installations such as supermarkets, pipe runs can exceed a mile long, which could expand and contract significant amounts introducing more potential failure points if the wrong support is specified. Damaged insulation and pipes compromise energy delivery, making critical refrigeration systems underperform.



Insuguard Multi pipe saddle shown with 1-click clevis adapter, above.

Original Insuguard pipe saddles are the one-piece solution for strut mount installations. It simply snaps on the strut and allows the pipe and insulation to expand and contract as needed, above right.



Potential issues with pipe suspension or mounting systems include shifting/falling saddles, condensation and mold growth, freezing and thawing, refrigerant leaks, insulation tear-off, and inefficient labor and material use. With normal pipe movement and expansion, saddles can slip out of place, exposing the insulation to pressure and compression. For cold systems, thermal bridging

can cause condensation, ice formation, and corrosion of the pipe and support. When supports fail, the insulated pipe run is unprotected from friction at the support points, tearing the insulation, leaving critical lines exposed. If these lines are inside a chase, the problem can go undetected causing serious property damage. Unsecured saddles that fall from the suspension system create serious safety and liability concerns.

PIPE SADDLES AND ACCESSORIES

Avoid these issues with Armacell's complete line of pipe saddles and accessories that eliminate common support problems AND will save time during installation.

Pipe movement is accommodated with **Insuguard's** rounded edge design that curves away from the pipe at both ends and protects the insulation when expansion or contraction occurs.

Insuguard Multi saddles and adapters simply click in place to connect to any type of suspension or mounting system, regardless of size. Both systems are compatible with adjustable **InsuCover** which protects pipes.

Insuguard

Original 1-piece pipe saddle designed for strut applications. Available in black and white.



Insuguard Multi

Pipe saddle systems with interchangeable adapters for strut, clevis, H-beam, I-beam, steel angle and floor mounts.



InsuCover

Pipe cover that shields the top of the pipe from damage. Adjustable width, attaches with cable ties.



SAVE TIME WITH QUICK AND EASY, TOOL-FREE INSTALLATION OF PIPE SADDLES AND ACCESSORIES.

INSUGUARD MULTI PIPE SADDLE

SPECIFICATIONS

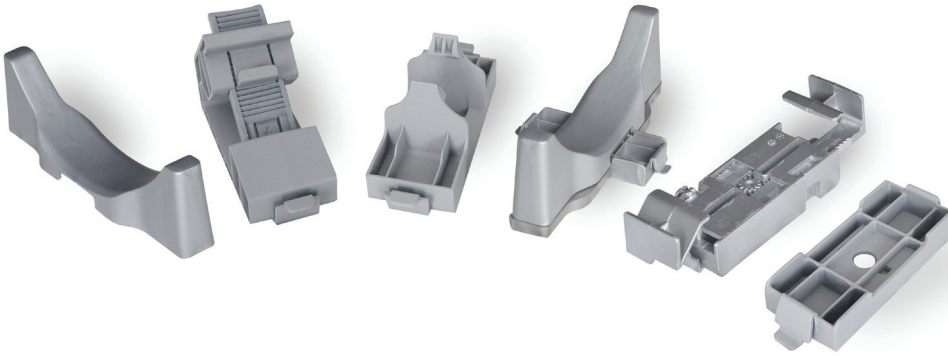
INSUGUARD MULTI SADDLE (GRAY)

Part number	Inside dimension		Length	
	[inch]	[mm]	[inch]	[mm]
IPTBCIM250G	2.34"	60mm	12"	305mm
IPTBCIM350G	3.45"	88mm	12"	305mm
IPTBCIM450G	4.50"	114mm	12"	305mm
IPTBCIM550G	5.56"	140mm	12"	305mm
IPTBCIM650G	6.46"	165mm	12"	305mm
IPTBCIM850G	8.65"	219mm	18"	457mm
IPTBCIM1050G	10.65"	271mm	23"	584mm
IPTBCIM1250G	12.65"	321mm	23"	584mm



UNIVERSAL ADAPTER DESIGN

All adapters fit all sizes of Insuguard Multi saddles. Choose the adapter that fits the suspension system you need and it will fit the saddle.



STRUT MOUNT ADAPTER

Part number	Fits strut width		Fits strut depth	
	[inch]	[mm]	[inch]	[mm]
IPTBCIM30X30G	1-3/16"	30mm	1-3/16"	30mm
IPTBCIM31x43G	1-5/64"	31mm	1-11/16	43mm
IPTBCIM40X38G	1-9/16"	40mm	1-1/2	38mm
IPTBCIM42X20G	1-5/8"	42mm	13/16	20mm
IPTBCIM42X42G	1-5/8"	42mm	1-5/8	42mm
IPTBCIM42X84G	1-5/8"	42mm	3-1/4	84mm
IPTBCIM42X166G	1-5/8"	42mm	6-1/2	166mm
IPTBCIM4D21G	2-1/8"	54mm	1-1/16	27mm
IPTBCIM4D22G	2-1/8"	54mm	2-1/8"	54mm

STEEL ANGLE MOUNT ADAPTER

Part number	Fits steel angle size
IPTBCIM2-5/8G	0.125" to 0.625" thick x 1" to 2.62" lip (3mm to 16mm thick x 25mm to 66mm lip)

CLEVIS U-STRAP MOUNT ADAPTER

Part number	Fits clevis hangers:
IMCLEVISG	Up to 1.9" (48mm) wide

STRUT STABILIZER

(Designed to support large size IPTBCIM1050G and IPTBCIM1250G saddles on strut mounts)

Part number	Length		Width		Radius	
	[inch]	[mm]	[inch]	[mm]	[inch]	[mm]
IPTBCIMSTAB1050G	10.34"	263mm	2.24"	57mm	5.13"	130mm
IPTBCIMSTAB1250G	11.38"	289mm	2.28"	58mm	6.13"	156mm

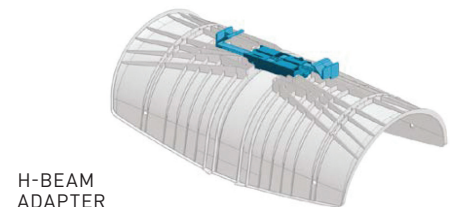
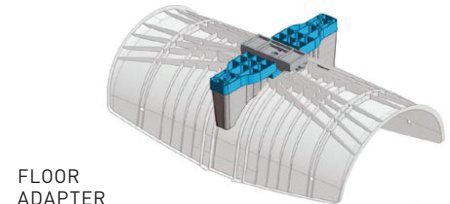
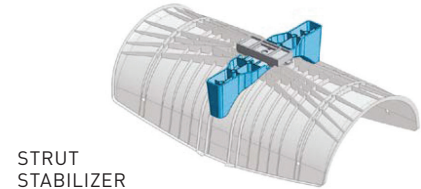
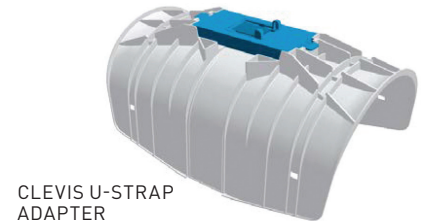
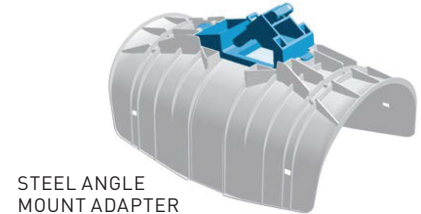
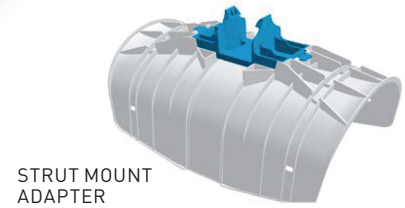
FLOOR ADAPTER

(Designed to support large size IM1050G and IM1250G saddles on floor)

Part number	Associated parts
IPTBCIM FLOOR10-12G	Use with IPTBCIMSTAB1050G or IPTBCIMSTAB1250G for floor mounting

H-BEAM ADAPTER

Part number	Fits beams
IPTBCIMHBEAMG	3.5" to 8.87" (89mm to 225mm)



ACCESSORIES

Armacell offers a full line of value-add accessories for the Insuguard Multi line of pipe saddles.

PIPE SHIELD

InsuCover®

InsuCover pipe cover is designed to fit over the insulated pipe and can be quickly secured with cable ties since both the saddle and the cover have matching notches for easy tool-free installation. The flexible design allows it to automatically adjust to the pipe's curve, large and small. A quick knife cut at the seams allows the installer to customize the width for smaller pipes. Its curved edges allow for the same range of movement as the Insuguard Multi saddle, keeping the pipe supported, secure, but able to give to natural pipe expansion.

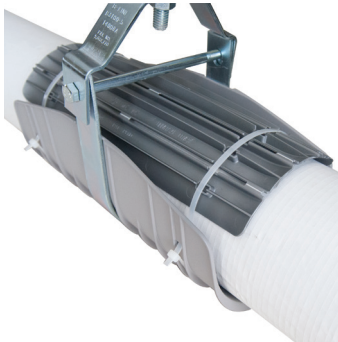
InsuCover Pipe Shield

Part number	Size		Color	For use with
	[inch]	[mm]		
IPTBCUCX50G	12"	305mm	Gray	IPTBCIM250G, IPTBCIM350G, IPTBCIM450G, IPTBCIM550G, IPTBCIM650G
IPTBCUCL50G	18"	457mm	Gray	IPTBCIM850G, IPTBCIM1050G, IPTBCIM1250G

Property	Value/Assessment	Test method
		Temperature range
Max. service temperature	+178 °F (+81 °C)	
Min. service temperature	-40 °F (-40 °C)	

Other technical features

UV resistance	Excellent
Paintable	Preserves mechanical properties even after painting



INSUGUARD MULTI PRODUCT GUIDE

Use the following two tables to quickly identify the right pipe support for your project.

Copper tubes

Pipe size	Insulation thickness				
	1/2 inch (13mm)	3/4 inch (19mm)	1 inch (25mm)	1-1/2 inch (38mm)	2 inch (50mm)
1/4" (6MM)	IPTBCIM250G	IPTBCIM250G	IPTBCIM350G	IPTBCIM350G	IPTBCIM450G
3/8" (10MM)	IPTBCIM250G	IPTBCIM250G	IPTBCIM350G	IPTBCIM450G	IPTBCIM450G
1/2" (13MM)	IPTBCIM250G	IPTBCIM250G	IPTBCIM350G	IPTBCIM450G	IPTBCIM550G
5/8" (16MM)	IPTBCIM250G	IPTBCIM250G	IPTBCIM350G	IPTBCIM450G	IPTBCIM550G
3/4" (19MM)	IPTBCIM250G	IPTBCIM350G	IPTBCIM350G	IPTBCIM450G	IPTBCIM550G
1" (25MM)	IPTBCIM250G	IPTBCIM350G	IPTBCIM350G	IPTBCIM450G	IPTBCIM550G
1-1/4" (31MM)	IPTBCIM350G	IPTBCIM350G	IPTBCIM350G	IPTBCIM450G	IPTBCIM550G
1-1/2" (38MM)	IPTBCIM350G	IPTBCIM350G	IPTBCIM450G	IPTBCIM550G	IPTBCIM650G
2" (50MM)	IPTBCIM350G	IPTBCIM450G	IPTBCIM450G	IPTBCIM550G	IPTBCIM650G
2-1/2" (63MM)	IPTBCIM450G	IPTBCIM450G	IPTBCIM550G	IPTBCIM650G	IPTBCIM850G
3" (75MM)	IPTBCIM450G	IPTBCIM550G	IPTBCIM550G	IPTBCIM650G	IPTBCIM850G
3-1/2" (88MM)	IPTBCIM550G	IPTBCIM550G	IPTBCIM650G	IPTBCIM850G	IPTBCIM850G
4" (100MM)	IPTBCIM550G	IPTBCIM650G	IPTBCIM650G	IPTBCIM850G	IPTBCIM850G

SCH 40/80 pipe

Pipe size	Insulation thickness								
	1/2 inch (13mm)	3/4 inch (19mm)	1 inch (25mm)	1-1/2 inch (38mm)	2 inch (50mm)	2-1/2 inch (63mm)	3 inch (6mm)	3-1/2 inch (89mm)	4 inch (102mm)
1/4" (6MM)	IPTBCIM250G	IPTBCIM250G	IPTBCIM350G	IPTBCIM450G	IPTBCIM550G	IPTBCIM550G	IPTBCIM650G	IPTBCIM850G	IPTBCIM850G
3/8" (10MM)	IPTBCIM250G	IPTBCIM250G	IPTBCIM350G	IPTBCIM450G	IPTBCIM550G	IPTBCIM550G	IPTBCIM650G	IPTBCIM850G	IPTBCIM850G
1/2" (13MM)	IPTBCIM250G	IPTBCIM250G	IPTBCIM350G	IPTBCIM450G	IPTBCIM550G	IPTBCIM650G	IPTBCIM850G	IPTBCIM850G	IPTBCIM1050G
3/4" (19MM)	IPTBCIM250G	IPTBCIM350G	IPTBCIM350G	IPTBCIM450G	IPTBCIM550G	IPTBCIM650G	IPTBCIM850G	IPTBCIM850G	IPTBCIM1050G
1" (25MM)	IPTBCIM250G	IPTBCIM350G	IPTBCIM350G	IPTBCIM450G	IPTBCIM550G	IPTBCIM650G	IPTBCIM850G	IPTBCIM850G	IPTBCIM1050G
1-1/4" (31MM)	IPTBCIM350G	IPTBCIM350G	IPTBCIM450G	IPTBCIM550G	IPTBCIM650G	IPTBCIM850G	IPTBCIM850G	IPTBCIM1050G	IPTBCIM1050G
1-1/2" (38MM)	IPTBCIM350G	IPTBCIM350G	IPTBCIM450G	IPTBCIM550G	IPTBCIM650G	IPTBCIM850G	IPTBCIM850G	IPTBCIM1050G	IPTBCIM1050G
2" (50MM)	IPTBCIM350G	IPTBCIM450G	IPTBCIM450G	IPTBCIM550G	IPTBCIM650G	IPTBCIM850G	IPTBCIM850G	IPTBCIM1050G	IPTBCIM1050G
2-1/2" (63MM)	IPTBCIM450G	IPTBCIM450G	IPTBCIM550G	IPTBCIM650G	IPTBCIM850G	IPTBCIM850G	IPTBCIM1050G	IPTBCIM1050G	IPTBCIM1250G
3" (75MM)	IPTBCIM450G	IPTBCIM550G	IPTBCIM550G	IPTBCIM650G	IPTBCIM850G	IPTBCIM850G	IPTBCIM1050G	IPTBCIM1050G	IPTBCIM1250G
3-1/2" (88MM)	IPTBCIM550G	IPTBCIM550G	IPTBCIM650G	IPTBCIM850G	IPTBCIM850G	IPTBCIM1050G	IPTBCIM1050G	IPTBCIM1250G	IPTBCIM1250G
4" (102MM)	IPTBCIM550G	IPTBCIM650G	IPTBCIM650G	IPTBCIM850G	IPTBCIM850G	IPTBCIM1050G	IPTBCIM1050G	IPTBCIM1250G	IPTBCIM1250G
5" (127MM)	IPTBCIM850G	IPTBCIM850G	IPTBCIM850G	IPTBCIM1050G	IPTBCIM1050G	IPTBCIM1050G	IPTBCIM1250G	IPTBCIM1250G	
6" (152MM)	IPTBCIM850G	IPTBCIM850G	IPTBCIM1050G	IPTBCIM1050G	IPTBCIM1250G	IPTBCIM1250G			
8" (203MM)	IPTBCIM1050G	IPTBCIM1050G	IPTBCIM1250G	IPTBCIM1250G					
10" (254MM)	IPTBCIM1250G	IPTBCIM1250G							

Refer to this table for details about the pipe support model and its packaging information.

Packaging

Part number	Nominal inside opening		Box quantity		
	[inch]	[mm]	[pcs]	[lbs]	[kg]
IPTBCIM250G	2.50	64	126	14.0	6.5
IPTBCIM350G	3.50	89	86	13.0	6.0
IPTBCIM450G	4.50	114	48	10.0	4.5
IPTBCIM550G	5.50	140	36	9.0	4.0
IPTBCIM650G	6.50	165	34	10.0	4.5
IPTBCIM850G	8.50	216	10	13.0	5.9
IPTBCIM1050G	10.50	266	8	16.0	7.2
IPTBCIM1250G	12.50	321	7	16.5	7.5

TECHNICAL DATA - INSUGUARD MULTI PIPE SADDLES

Brief description	Insugard Multi is a saddle-shaped pipe support with interchangeable clipping cartridges - also known as clipping adapters, that can be used on any pipe suspension system, including various strut channel sizes, clevis hangers or steel angles. Insugard saddles are applicable with all insulation products.
Product color range	Silver gray
Special features	The inside surface of the saddle-shaped pipe support is non-adhesive and has a special texture that acts as micro bubbles to create a thin film of air between the saddle and the insulation. This helps the insulated pipe to expand and move freely within the saddle without damaging the insulation material. All clipping cartridges can fit any saddle size.
Applications	Horizontal pipe installation on plumbing, mechanical, refrigeration and air-conditioning applications.
Installation	All Insugard Multi clipping cartridges can be quickly installed in one simple action without any tools except the floor adapter. Watch the installation videos to find out more.

Property	Value / Assessment				Standard / Test method
Temperature range					
Service temperature	Min. °C	Min. °F	Max. °C	Max. °F	
	40	-40	81	178	
Weather and UV resistance					
UV resistance	Excellent				

All data and technical information are based on results achieved under the specific conditions defined according to the testing standards referenced. Despite taking every precaution to ensure that said data and technical information are up to date, Armacell does not make any representation or warranty, express or implied, as to the accuracy, content or completeness of said data and technical information. Armacell also does not assume any liability towards any person resulting from the use of said data or technical information. Armacell reserves the right to revoke, modify or amend this document at any moment. It is the customer's responsibility to verify if the product is suitable for the intended application. The responsibility for professional and correct installation and compliance with relevant building regulations lies with the customer. This document does not constitute nor is part of a legal offer to sell or to contract.

At Armacell, your trust means everything to us, so we want to let you know your rights and make it easier for you to understand what information we collect and why we collect it. If you would like to find out about our processing of your data, please visit our Data Protection Policy.

Trademarks followed by © or TM are trademarks of the Armacell Group. © Armacell, 2023. All rights reserved.

ArmaFix | Insugard Multi | TDS | 032024 | en-US

ABOUT ARMACELL

As the inventor of flexible foam for equipment insulation and a leading provider of engineered foams, Armacell develops innovative and safe thermal and mechanical solutions that create sustainable value for its customers. Armacell's products significantly contribute to global energy efficiency making a difference around the world every day. With more than 3,300 employees and 25 production plants in 19 countries, the company operates two main businesses, Advanced Insulation and Engineered Foams. Armacell focuses on insulation materials for technical equipment, high-performance foams for acoustic and lightweight applications, recycled PET products, next-generation aerogel technology and passive fire protection systems.

For more information, please visit:
www.armacell.com

